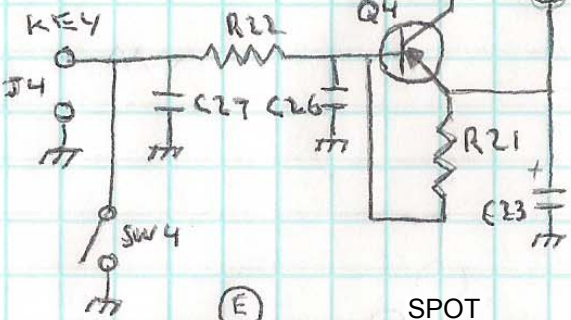
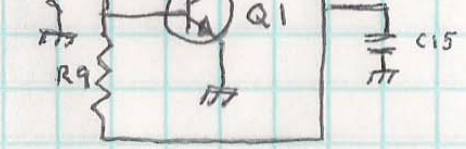


Note: L1 and T1 also have internal capacitors

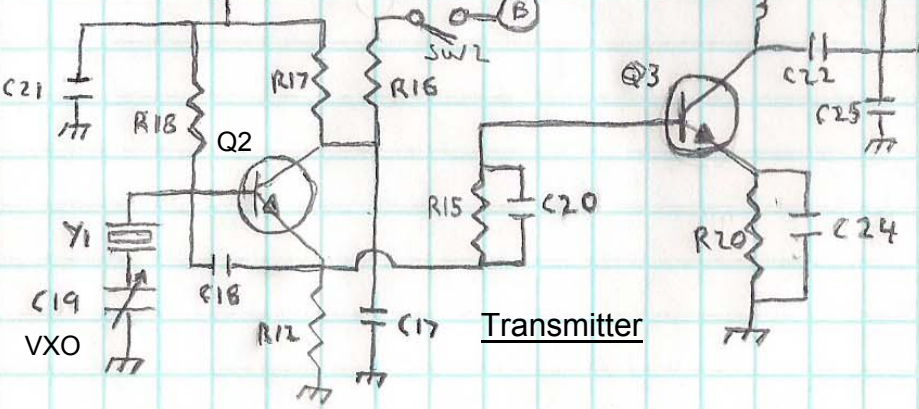
Keying



Sidetone



SPOT



Transmitter

**Splinter II Transmitter / Receiver
W4FSV....2014
Breadboard Radio**